

High Power Faraday Rotator

1030nm, 1064nm

Features

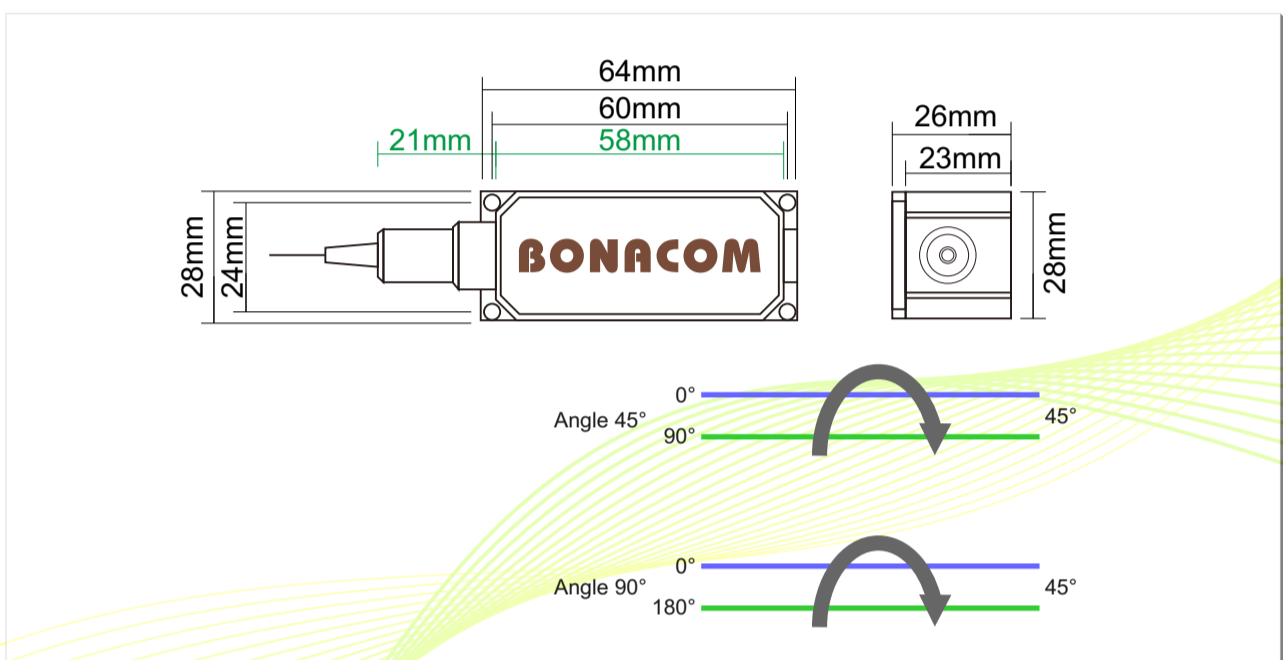
- Low Insertion Loss
- High Return Loss
- High Reliability
- High Stability

Applications

- Fiber Optic Instruments
- Fiber Sensors
- Fiber Lasers
- Coherent Detecting
- Research



Package Dimensions



Address: 2F,DF Industrial Park,Shanghenglang Community,Dalang,Longhua New District,Shenzhen,P.R.C.518109.
www.bonaphotonics.com sales@bonaphotonics.com Tel:+0755-21035679

December 2019

Bonacom Technology reserves the right to change any specifications without prior notice.

BN-CG-IS-19-2

Specifications

Parameter	Unit	Value
Center Wavelength	nm	1064 or 1030
Operating Wavelength Width	nm	±5
Max. Insertion Loss	dB	1.5
Faraday Rotation Angle for CWL	deg	45
Max. Rotation Angle Tolerance at 23 °C for CWL	deg	±3
Min. Extinction Ratio at 23 °C, only for PM	dB	20
Max. Polarization Dependent Loss at 23 °C, only for non-PM	dB	0.15
Max. Polarization Mode Dispersion	ps	0.05
Max. Power Handling	W	20
Max. Tensile Load	N	5
Operating Temperature	°C	-5~+70
Storage Temperature	°C	-40~+85

Ordering Information

HPPMFR/HPPIFR-1111-2-333-456-7-88

1111	-Center Wavelength:	1064=1064nm,1030=1030nm,
2	-Rotating Angle:	1=45°, 2=90°
333	-Fiber Type:	001=PM1550, 002=PM1310, 003=PM980, 004=Hi1060, 008=SMF-28E
4	-Package Dimension:	A=φ5.5x35mm, S=Specified
5	-Pigtail Type:	0=250μm bare fiber, 1=900μm loose tube
6	-Fiber Length:	0=0.8m, 1=1m
7	-Connector Type:	0=FC/UPC, 1=FC/APC, 2=SC/UPC, 3=SC/APC, 4=LC/UPC, 5=LC/APC, N=None
88	-Average Power:	01=100mW, 10=1W, 50=5W, SS=specified

Address: 2F,DF Industrial Park,Shanghenglang Community,Dalang,Longhua New District,Shenzhen,P.R.C.518109.
www.bonaphotonics.com sales@bonaphotonics.com Tel:+0755-21035679

December 2019

Bonacom Technology reserves the right to change any specifications without prior notice.

BN-CG-IS-19-2