

2μm PM Filter Coupler

Features

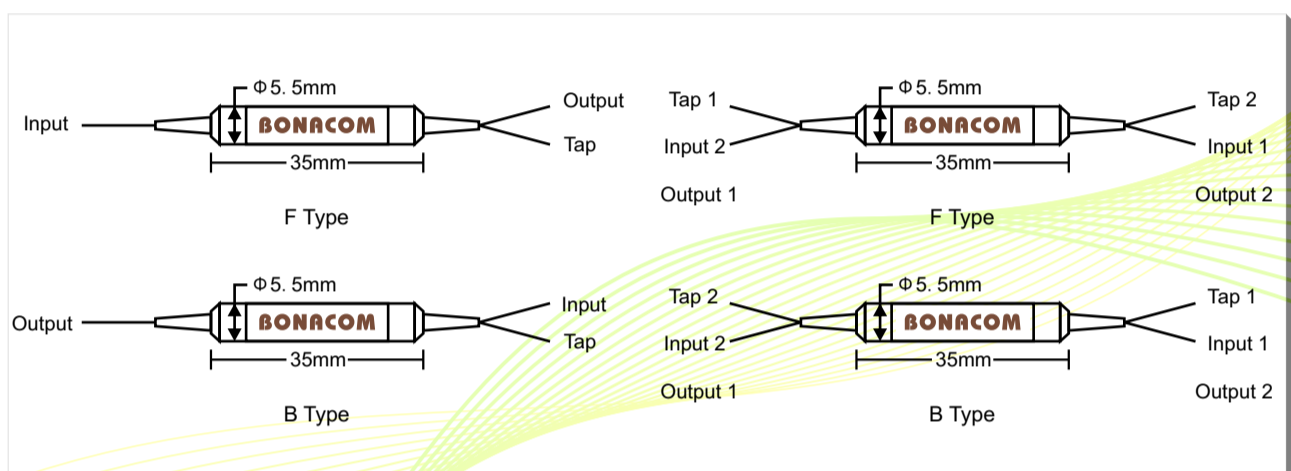
- Low Insertion Loss
- High Return Loss
- High Extinction Ratio
- High Reliability
- High Stability

Applications

- EDFA & Raman Amplifier
- Fiber Sensor
- Fiber Optical Instrument
- Power Monitoring System



Package Dimensions



Address: 2F,DF Industrial Park,Shanghenglang Community,Dalang,Longhua New District,Shenzhen,P.R.C.518109.
 www.bonaphotonics.com sales@bonaphotonics.com Tel:+0755-21035679

December 2019

Bonacom Technology reserves the right to change any specifications without prior notice.

BN-CG-IS-19-2

Specifications

Parameter	Unit	Value	
Type	-	1x2	2x2
Center Wavelength	nm	2000	
Operating Wavelength Range	nm	±40	
Max. Excess Loss	dB	1.2	1.5
Uniformity (only for 50/50)	dB	0.6	0.8
Coupling Ratio	%	01/99~50/50	
Min. Extinction Ratio at 23°C	dB	18	
Min. Return Loss	dB	50	
Max. Optical Power(CW)	mW	300	
Max. Tensile Load	N	5	
Fiber Type	Tap Port	-	SMF-28E, PM Panda fiber
	Port 1 & 3	-	PM Panda fiber
Operating Temperature	°C	-5~+70	
Storage Temperature	°C	-40~+85	

For device with connector, IL is 0.3dB higher, RL is 5dB lower, ER is 2dB lower.
 The default connector key is aligned to slow axis.

For Type 1x2, routing path is 3 to 1,2(tap). For Type 2x2, routing path is 1 to 3, 4(tap) & 3 to 1, 2(tap)

Ordering Information

PMFC-1111-2334-555-666-789-AAAA

1111	-Center Wavelength:	1950=1950nm, 2000=2000nm, 2050=2050nm.....
2	-Port number:	3=1x2, 4=2x2
33	-Tap ratio:	01=1%,02=2%,.....,05=5%,....., 50=50%
4	-Axis Alignment:	F=Slow axis working, Fast axis blocked, B=Both axis working
555	-Fiber type for Port 1, 3:	001=PM1550, 008=SMF-28E, 045=Nufern PM1950, 046=Nufern SM1950
666	-Fiber type for Tap:	001=PM1550, 008=SMF-28E, 045=Nufern PM1950, 046=Nufern SM1950
7	-Package Dimension:	0=φ5.5x35mm, S=Specified
8	-Pigtail Type:	0=250μm bare fiber, 1=900μm loose tube
9	-Fiber Length:	0=0.8m,1=1m
AAAA	-Connector for Port 1,2,3,4:	0=FC/UPC,1=FC/APC,2=SC/UPC,3=SC/APC,4=LC/UPC,5=LC/APC, N=None

Address: 2F,DF Industrial Park,Shanghenglang Community,Dalang,Longhua New District,Shenzhen,P.R.C.518109.
 www.bonaphotonics.com sales@bonaphotonics.com Tel:+0755-21035679

December 2019

Bonacom Technology reserves the right to change any specifications without prior notice.

BN-CG-IS-19-2