

2 μ m Optical Isolator

PM/non-PM

Features

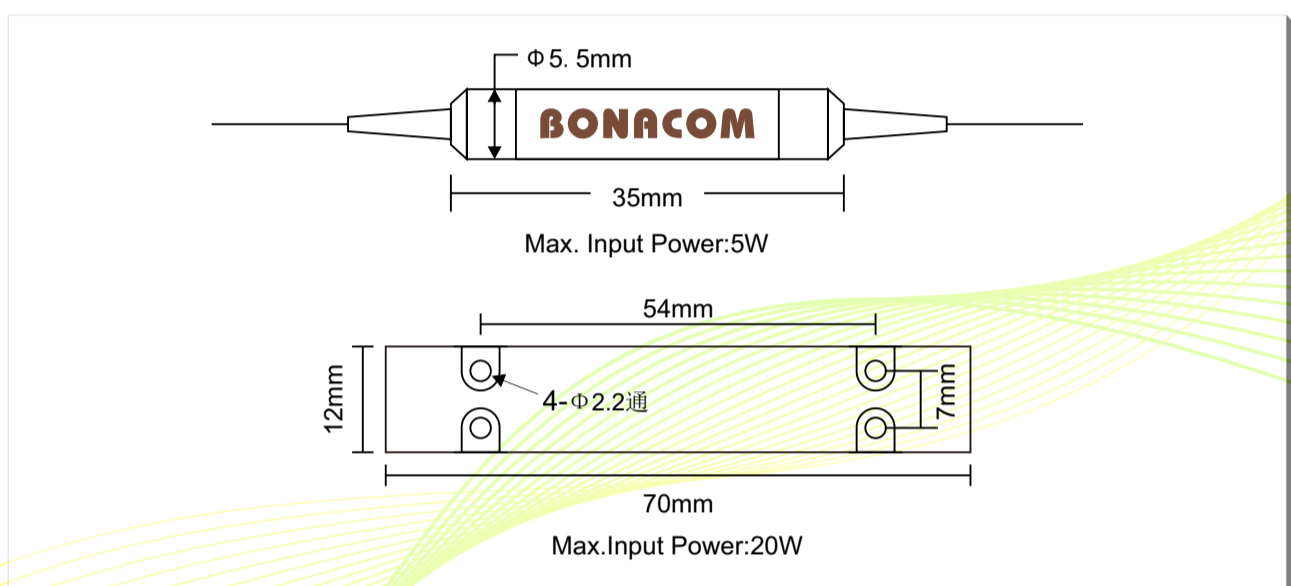
- Low Insertion Loss
- High Return Loss
- High Extinction Ratio
- High Isolation
- High Stability & Reliability

Applications

- Communication Systems
- Test Instrument
- Fiber Sensor
- Research



Package Dimensions



Address: 2F,DF Industrial Park,Shanghenglang Community,Dalang,Longhua New District,Shenzhen,P.R.C.518109.
www.bonaphotonics.com sales@bonaphotonics.com Tel:+0755-21035679

December 2019

Bonacom Technology reserves the right to change any specifications without prior notice.

BN-CG-IS-19-2

Specifications

Parameter	Unit	Value	
Stage	-	Single	Dual
Center Wavelength	nm	1950, 2000, 2050	
Operating Wavelength Range	nm	±20	
Min. Isolation at 23°C	dB	16	35
Max. Insertion Loss at 23°C	dB	1.2	1.5
Min. Extinction Ratio at 23°C	dB	20	
Max. Polarization Dependent Loss at 23°C	dB	0.2	
Min. Return Loss (input/output)	dB	50/50	
Max. Optical Power(CW)	W	0.5, 5, 10, 20	
Max. Tensile Load	N	5	
Fiber Type	-	PM1950, PM1550, SMF-28e, SM1950	
Operating Temperature	°C	-5~+70	
Storage Temperature	°C	-40~+85	

For device with connector, IL is 0.3dB higher, RL is 5dB lower, ER is 2dB lower.
 The default connector key is aligned to slow axis.

Ordering Information

HPMIS/HPIIS-1111-23-444-567-88-99AA

1111	-Center Wavelength:	1950=1950nm, 2000=2000nm, 2050=2050nm
2	-Stage:	S=Single-core stage, D=Dual-core stage
3	-Axis Alignment:	F=Slow axis working, Fast axis blocked, B=Both of axis working
444	-Fiber Type:	001=PM1550, 002=PM1310, 003=PM980, 004=Hi1060, 008=SMF-28E
5	-Package Dimension:	0=φ5.5x35mm, 1=70x12x8mm, S=Specified
6	-Pigtail Type:	0=250μm bare fiber, 1=900μm loose tube
7	-Fiber Length:	0=0.8m, 1=1m
88	-Connector for In, Out:	0=FC/UPC, 1=FC/APC, 2=SC/UPC, 3=SC/APC, 4=LC/UPC, 5=LC/APC, N=None
99	-Average Power:	00=500mW, 05=5W, 10=10W, 20=20W
AA	-Peak Power:	10=10kW, 20=20kW

Address: 2F,DF Industrial Park,Shanghenglang Community,Dalang,Longhua New District,Shenzhen,P.R.C.518109.
www.bonaphotonics.com sales@bonaphotonics.com Tel:+0755-21035679

December 2019

Bonacom Technology reserves the right to change any specifications without prior notice.

BN-CG-IS-19-2