

Optical Isolator 50W

PM or non-PM

(1064nm, 1030nm, 980nm)

Features

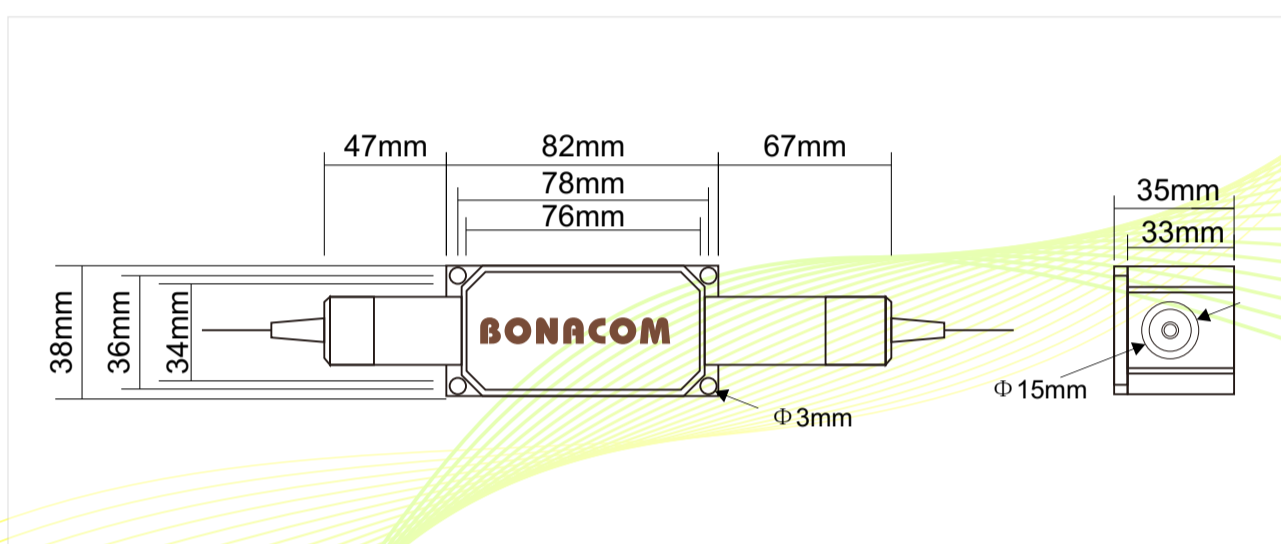
- Low Insertion Loss
- High Return Loss
- High Isolation
- High stability & Reliability

Applications

- Polarization Maintaining Fiber Amplifier
- Testing Instrument
- Mopa Fiber Laser
- Fiber Laser



Package Dimensions



Address: 2F,DF Industrial Park,Shanghenglang Community,Dalang,Longhua New District,Shenzhen,P.R.C.518109.
www.bonaphotonics.com sales@bonaphotonics.com Tel:+0755-21035679

December 2019

Bonacom Technology reserves the right to change any specifications without prior notice.

BN-CG-IS-19-2

Specifications

Parameter	Unit	Value
Center Wavelength	nm	1064 or 1030 or 980
Operating Wavelength Range	nm	±5
Typ. Peak Isolation at 23°C	dB	30
Min. Isolation at 23°C	dB	25
Typ. Insertion Loss at 23°C	dB	0.8
Max. Insertion Loss at 23°C	dB	1.0
Max. Polarization Dependent Loss at 23°C, only for PI	dB	0.2
Min. Extinction Ratio at 23°C, only for PM	dB	20
Min. Return Loss(Input /Output)	dB	45
Max. Average Optical Power	W	30, 50, 100
Max. Peak Power for ns Pulse	kW	10,20
Max. Tensile Load	N	5
Package Dimension	mm	82x38x35
Operating Temperature	°C	+10~+50
Storage Temperature	°C	0~+60

Ordering Information

HPIS/HPMIS-1111-2-333-456-7788

1064	-Center Wavelength:	1064=1064nm, 1030=1030nm, 980=980nm
2	-Axis Alignment for PM:	F=Slow axis working, Fast axis blocked, B=Both of axis working, N=Non-PM
333	-Fiber Type:	021=LMA-GDF-20/130-M, 030=PLMA-GDF-30/250, S=Specified
4	-Pigtail Type:	0=250µm bare fiber, 1=900µm loose tube
5	-Fiber Length:	0=0.8m,1=1m
6	-Package Dimension:	0=82x38x35mm, S=Specified
77	-Average Power:	30=30W, 40=40W, 50=50W ,
88	-Peak Power:	10=10kW,20=20kW

Address: 2F,DF Industrial Park,Shanghenglang Community,Dalang,Longhua New District,Shenzhen,P.R.C.518109.
www.bonaphotonics.com sales@bonaphotonics.com Tel:+0755-21035679

December 2019

Bonacom Technology reserves the right to change any specifications without prior notice.

BN-CG-IS-19-2