

High Power PM Tap Isolator

980nm, 1030nm, 1064nm

Features

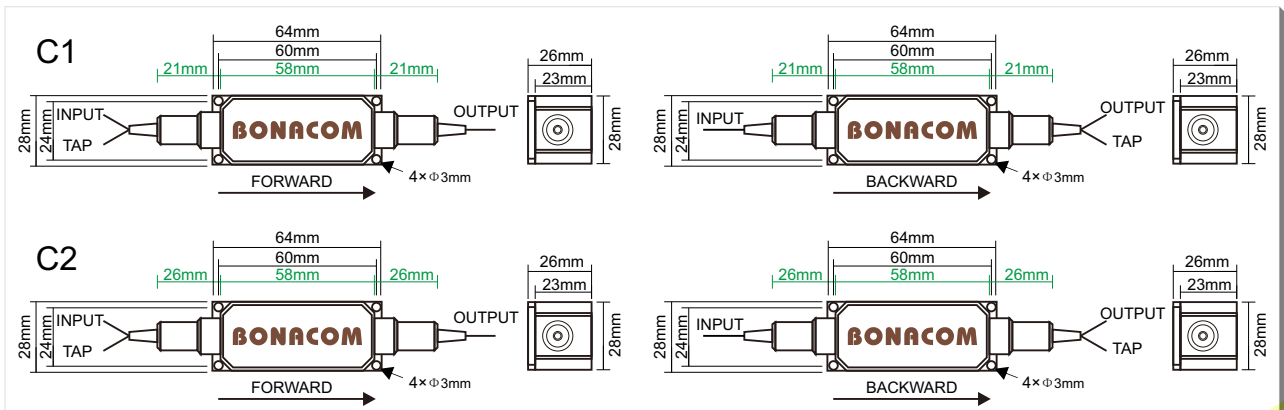
- Low Insertion Loss
- High Return Loss
- High Extinction Ratio
- High Isolation

Applications

- Compact Fiber Amplifiers
- Compact Fiber Optical System
- Fiber Laser
- Fiber Sensor



Package Dimensions



Options for Axis Alignment

- Option 1, forward**
Input to Output: Fast axis blocked,
Input to Tap: Both axis working,
- Option 2, forward**
Input to Output: Both axis working,
Input to Tap: Both axis working,
- Option 3, forward**
Input to Output: Both axis working,
Input to Tap: PM to SM, Polarization Insensitive
- Option 4, backward**
Input to Output: Fast axis blocked,
Input to Tap: Fast axis blocked,
- Option 5, backward**
Input to Output: Fast axis blocked,
Input to Tap: PM to SM, Polarization Sensitive

Address: 2F,DF Industrial Park,Shanghenglang Community,Dalang,Longhua New District,Shenzhen,P.R.C.518109.
www.bonaphotonics.com sales@bonaphotonics.com Tel:+0755-21035679

December 2019

Bonacom Technology reserves the right to change any specifications without prior notice.

BN-CG-IS-19-2

Specifications

Parameter	Unit	Value	
Stage	-	Single	Dual
Operating Wavelength Range	nm	980/1030/1060	
Bandwidth	nm	±5	
Max. Excess Loss	dB	0.7	0.9
Signal Tap Ratio	%	1±0.2%, 5±1%, 50±2%	1±0.2%, 5±1%, 50±2%
Typ. Peak Isolation	dB	40	52
Min. Isolation at 23 ℃	dB	28	45
Min. Extinction Ratio at 23 ℃	dB	20	
Min. Return Loss	dB	50	
Max. Average Power	W	10, 20	
Max. Tensile Load	N	5	
Operating Temperature	℃	0~+70	
Storage Temperature	℃	-40~+85	

For device with connector, IL is 0.3dB higher, RL is 5dB lower, ER is 2dB lower.
The default connector key is aligned to slow axis.
For device with connector, handling power is only 1W

Ordering Information

HPPMTIS-1111-2334-555-666-789-AAA-BBCC

1111	-Center Wavelength:	1064=1064nm, 1030=1030nm, 980=980nm
2	-Stage:	S=Single-core stage, D=Dual-core stage
33	-Tap ratio:	01=1%, 02=2%,, 50=50%
4	-Axis Alignment:	1=Option 1, 2=Option 2, 3=Option 3, 4=Option 4, 5=Option 5
555	-Fiber Type for In & Out:	001=PM1550, 002=PM1310, 003=PM980, 004=Hi1060, 008=SMF-28E
666	Fiber Type for Tap:	001=PM1550, 002=PM1310, 003=PM980, 004=Hi1060, 008=SMF-28E
7	-Package Dimension	1=C1, 2=C2, S=Specified
8	-Pigtail Type:	0=250μm bare fiber, 1=900μm loose tube
9	-Fiber Length:	0=0.8m, 1=1m
AAA	-Connector for In, Out, Tap:	0=FC/UPC, 1=FC/APC, 2=SC/UPC, 3=SC/APC, 4=LC/UPC, 5=LC/APC, N=None
BB	-Average Power:	00=300mW, 01=1W, 02=2W, 05=5W, 20=20W
CC	-Peak Power	10=10kW, 20=20kW

Address: 2F,DF Industrial Park,Shanghenglang Community,Dalang,Longhua New District,Shenzhen,P.R.C.518109.
www.bonaphotonics.com sales@bonaphotonics.com Tel:+0755-21035679

December 2019

Bonacom Technology reserves the right to change any specifications without prior notice.

BN-CG-IS-19-2