

Collimated Beam Output Isolator Integrated 650nm Laser Pointer

Features

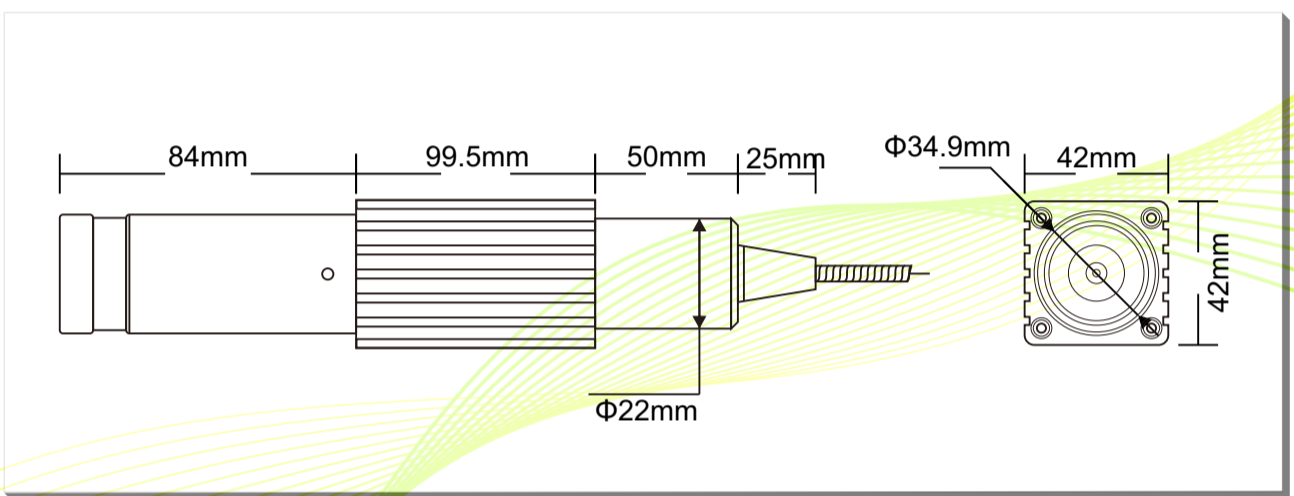
- Low Insertion Loss
- High Return Loss
- High Isolation
- High stability & Reliability

Applications

- Fiber Laser Cutting
- Mopa Fiber Laser
- Fiber Laser Marking
- Fiber Amplifier



Package Dimensions



Address: 2F,DF Industrial Park,Shanghenglang Community,Dalang,Longhua New District,Shenzhen,P.R.C.518109.
www.bonaphotonics.com sales@bonaphotonics.com Tel:+0755-21035679

December 2019

Bonacom Technology reserves the right to change any specifications without prior notice.

BN-CG-IS-19-2

Specifications

Parameter	Unit	Value
Center Wavelength	nm	1064 or Specified
Operating Wavelength Range	nm	±5
Typ. Peak Isolation at 23°C	dB	30~35
Min. Isolation at 23°C	dB	28
Max. Insertion Loss at 23°C	dB	0.5
Min. Extinction Ratio at 23°C, only for PM	dB	18
Max. Polarization Dependent Loss at 23°C, only for non-PM	dB	0.1
Min. Beam Roundness	%	90
Min. Return Loss(Input /Output)	dB	50
Nominal Output Beam Diameter (1/e ²)	mm	7±1 or 3±1
Max. Average Optical Power	W	30 or Specified
Max. Peak Power for ns Pulse	kW	20 or Specified
Max. Tensile Load	N	5
Safety Working Voltage (DC)	V	2.5~2.8
Safety Working Current	mA	110~120
Operating Temperature	°C	+5~+55
Storage Temperature	°C	-5~+75

Ordering Information

HPMCILP/HPICILP-1111-23-444-5678-99AA

1111	-Center Wavelength:	1064=1064nm ,SSSS=Specified
2	-Axis Alignment:	F=Slow axis working, Fast axis blocked, B=Both axis working, N=Non-PM
3	-Beam Diameter:	3=3mm, 7=7mm, S=Specified
444	-Fiber Type:	021=LMA-GDF-20/130-M, 031=LMA-GDF-30/250-M, S=Specified
5	-Package Dimension:	0=75.5x42x42mm
6	-Armoured Cable Length:	1=1m Armoured cable (OD:6mm), 2=2m Armoured cable (OD:6mm), S=Specified
7	-Fiber Tube Length:	1=1m 900um loose tube,
8	-Fiber Length:	1=1m,2=m,S=Specified
99	-Average Power:	10=10W, 30=30W, SS=Specified
AA	-Pulse Power:	10=10kW, 20=20kW, SS=Specified

Address: 2F,DF Industrial Park,Shanghenglang Community,Dalang,Longhua New District,Shenzhen,P.R.C.518109.
www.bonaphotonics.com sales@bonaphotonics.com Tel:+0755-21035679

December 2019

Bonacom Technology reserves the right to change any specifications without prior notice.

BN-CG-IS-19-2